

PRODUCT INFORMATION PACKET

Model No: 5K36JN57

Catalog No: K216

1/2 HP Three Phase HVAC/R Motor, 3 phase, 3600 RPM, 208-230/460 V, 56C Frame, ODP
Three Phase Motors



Nameplate Specifications

Output HP	0.50 Hp	Output KW	0.37 kW
Frequency	60 Hz	Voltage	208-230/460 V
Current	2.0-2.0,1.0 A	Speed	3450 rpm
Service Factor	1.6	Phase	3
Efficiency	69.9 %	Power Factor	0
Duty	Continuous	Insulation Class	B
KVA Code	M	Frame	56C
Enclosure	Drip Proof	Thermal Protection	N/R
Ambient Temperature	40 °C	Drive End Bearing Size	6203
Opp Drive End Bearing Size	6203	UL	Recognized
CSA	Yes	CE	N
IP Code	22		

Technical Specifications

Electrical Type	Three Phase	Starting Method	N/R
Poles	2	Rotation	Counterclockwise/Clockwise
Mounting	Round	Motor Orientation	ANY
Drive End Bearing	LOCKED	Opp Drive End Bearing	Ball
Frame Material	Rolled Steel	Overall Length	10.31 in
Frame Length	6.22 in	Shaft Diameter	0.630 in
Shaft Extension	1.88 in	Thru-bolts Extension	0 in
Connection Drawing	113A930FIG2	Outline Drawing	52A102321P4

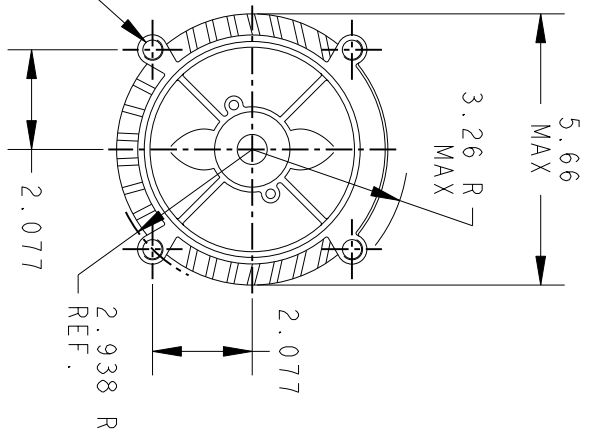
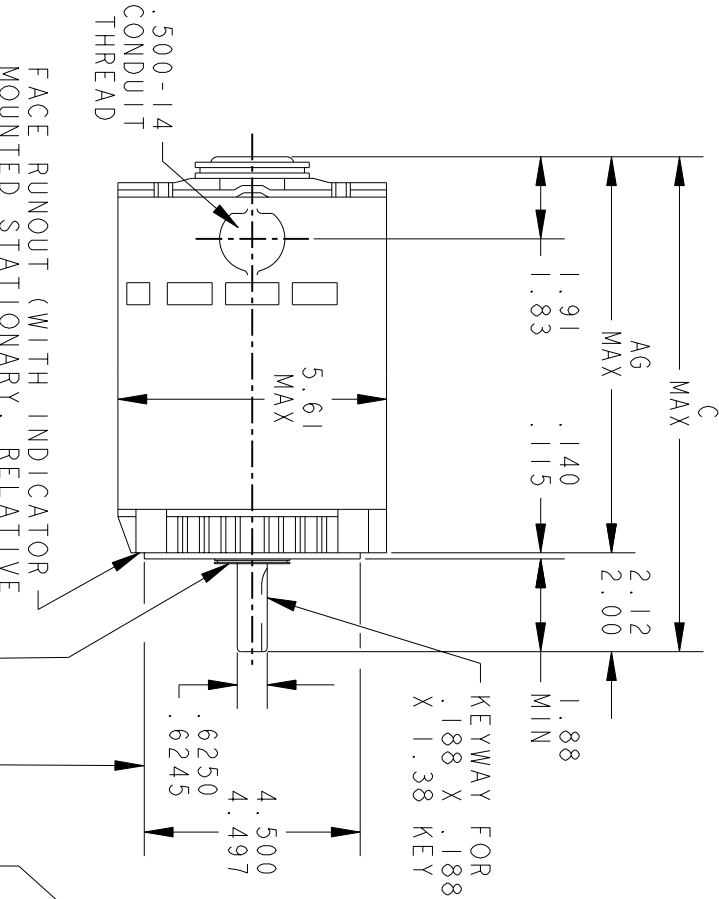
This is an uncontrolled document once printed or downloaded and is subject to change without notice. Date Created:03/11/2020

THIRD ANGLE PROJECTION



REVISIONS

REV.	DESCRIPTION	DATE	APPROVED
8	REDRAWN NO CHANGE T196-22390	9/9/96	MDP
9	CHG MADE AS PER IS05-3049	11/30/05	GOVARDAN



FACE RUNOUT (WITH INDICATOR MOUNTED STATIONARY, RELATIVE TO SHAFT) MUST NOT EXCEED .004 TIR

WATER SLINGER (WHEN SPECIFIED)

ECCENTRICITY OF THIS SURFACE (WITH INDICATOR MOUNTED STATIONARY RELATIVE TO SHAFT) MUST NOT EXCEED .004 TIR

PT	TYPE	GE SIZE	NEMA FR	C	AG	SHELL REF	PT	TYPE	GE SIZE	NEMA FR	C	AG	SHELL REF
4	KC	36	56C	10.31	8.21	8	KC	KC	39	56C	12.58	10.49	8.50
3	KC	35	56C	9.88	7.78	7	KC	KC	39	56C	11.84	9.74	7.75
2	KC	33	56C	9.50	7.40	6	KC	KC	38	56C	11.31	9.21	
1	KC	32	56C	9.25	7.15	5	KC	KC	37	56C	10.71	8.61	



REGAL-BELOTT CORPORATION

OUTLINE

FORM N JET PUMP MOTOR-DRIP PROOF
R2 END MOUNTED - SLEEVE & BALL BEARING

FOR ADDITIONAL INFO REFER TO:	MFG	
APPLIED PRACTICES	QUALITY	
DIMENSIONS ARE IN INCHES	ISSUED	MDP 9/9/96
MATERIAL	SOLID MODEL:	52A102321

TITLE	SIZE	SCALE	REF. No.	SHEET
FORM N JET PUMP MOTOR-DRIP PROOF R2 END MOUNTED - SLEEVE & BALL BEARING	DRAWING A	1.000		1 of 1
REV	52A102321			9

